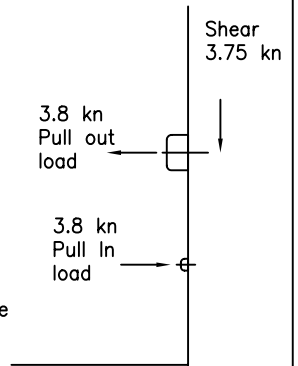


Specification

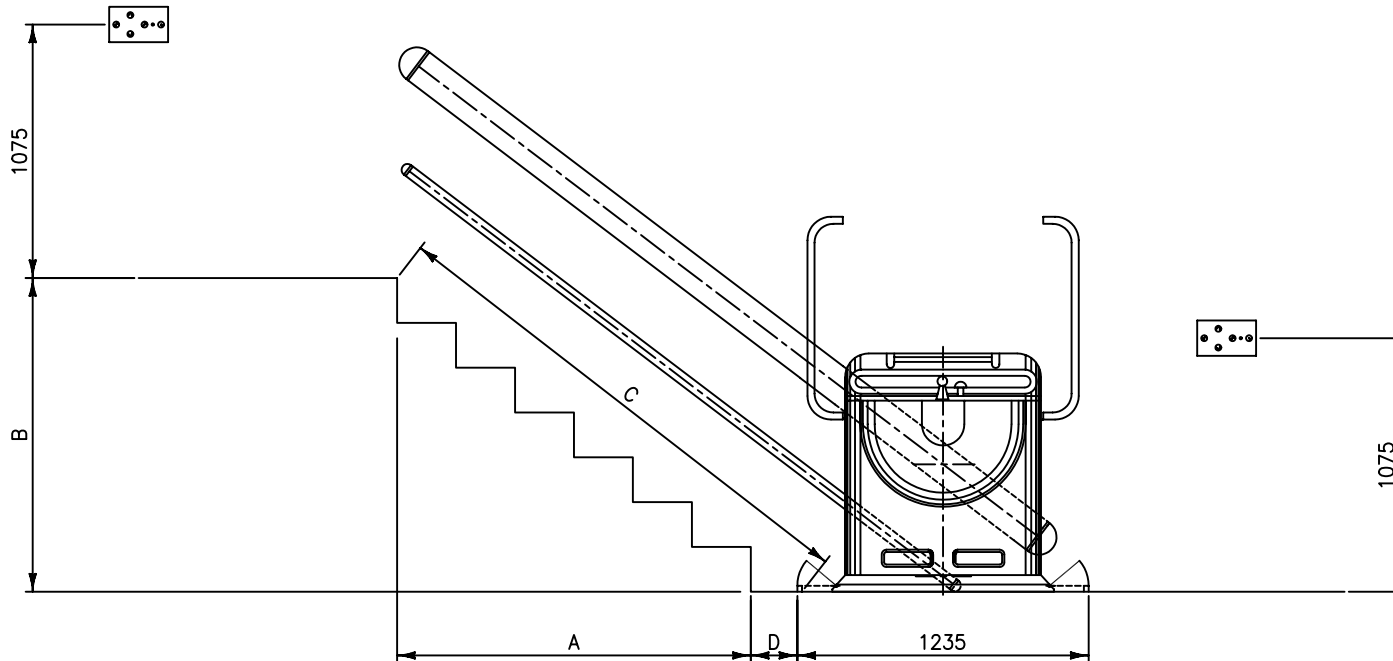
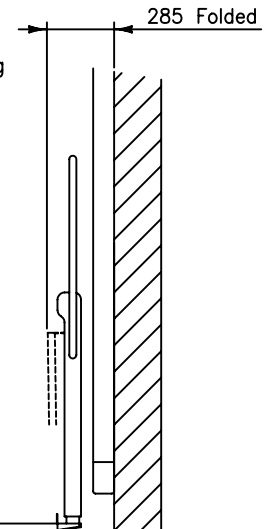
750x900 mm Platform
 Front Access
 Rated load 225 kg
 Speed 0.1 m/s
 Supply: Single phase 220 VAC
 Carriage Colour: RAL 7035
 Rail finish anodized aluminum
 Wall Mounted
 20-50 degree stair angle
 Electrical components rated to IP65
 Control units at both landings incorporate Up/Down, barrier and platform position constant pressure controls.



Notes

FIXING RAIL REACTIONS

Others to ensure that the fixing wall can withstand the loads from the platform lift.
 Others to supply a 13 amp RCD protected socket outlet at the top landing below our control unit for the platform lift supply.
 All wiring to the control units to be surface mounted.



BY	DATE	ISSUE	MODIFICATION	CHECKED

INCLINED PLATFORM LIFT 900 X 750 PLATFORM GENERAL ARRANGEMENT RIGHT HAND
 (Issued for information only)

NICHE LIFTS LTD 82 St Georges Road West, Bromley, Kent. BR1 2NP Tel: 020 8295 2852 Fax: 020 8467 1044
 e-mail: sales@niche lifts.co.uk Web Site: www.nichelifts.co.uk

NICHE LIFTS Ltd
 Do not scale this drawing. All dimensions in millimetres

DRAWN BY	DATE	CHECKED	SCALE
TMP	16.11.05	FWP	1:25
DRAWING NUMBER			
1080/A			