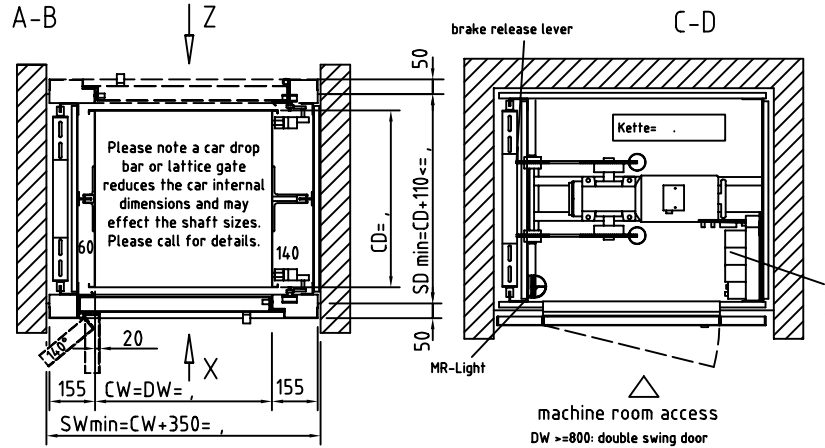


Accessible space underneath shaft is not permitted



Typical List of builders work

1. Provide electrical supply to machine room in the form of a 415v, 3ph, 50hz 5 wire supply protected by a 16amp Motor Rated MCB, together with a 230v spur.
2. Machine room access by ladder
3. Shaft enclosure to fixed AFTER installation of lift, else leave front wall down at all levels
4. Shaft enclosure and shaft ventilation to be in accordance with local authority requirements
5. Structure shall not carry buildings forces. Structure to be fixed to building fabric
6. Provide 500 kg SWL lifting eye central above shaft
7. Temperature in MR room shall be between +5 ° to 40 ° constantly
8. Provide scaffold boards depth of shaft + 150, 3-off every 2 metres
9. Provide storage space on site and assistance to off load.
10. Note lift car delivered and installed in one section access space required
11. Provide barriers at each floor to guard against fall hazards
12. Provide 110v temp. lighting & power
13. Protect building fabric during egress of materials, disposal of packaging
14. Provide assistance with off loading and distribution of materials.
15. Clad shaft following installation.

	increments 50 mm
CW= car width	500 - 1000mm
CD= car depth	600 - 1000mm
CH= car height	800 - 1200mm

DH= door width  
 DH= door height  
 P= Pit  
 SW= Shaft width  
 SD= Shaft depth  
 HR= Headroom clear  
 FFL= Finished floor level  
 CO= overrun  
**ATTENTION**  
 Cabin protection reduces clear entrance openings resp. shaft sizes  
 Service lift code acc. to acknowledgement landing doors DIN 18090-92  
 All dimensions in "mm", DO NOT SCALE

BY	DATE	ISSUE	MODIFICATION	CHECKED
TMP	11.7.07	B	Shaft width amended	

NICHE 200-300 KG TROLLEY LIFT THROUGH LOADING W/O SAFETY GEAR  
(Issued for information only)

**NICHE LIFTS Ltd**  
Do not scale this drawing. All dimensions in millimetres

DRAWN BY	DATE	CHECKED	SCALE
TMP	15.5.07		NTS
DRAWING NUMBER			
1152/B			