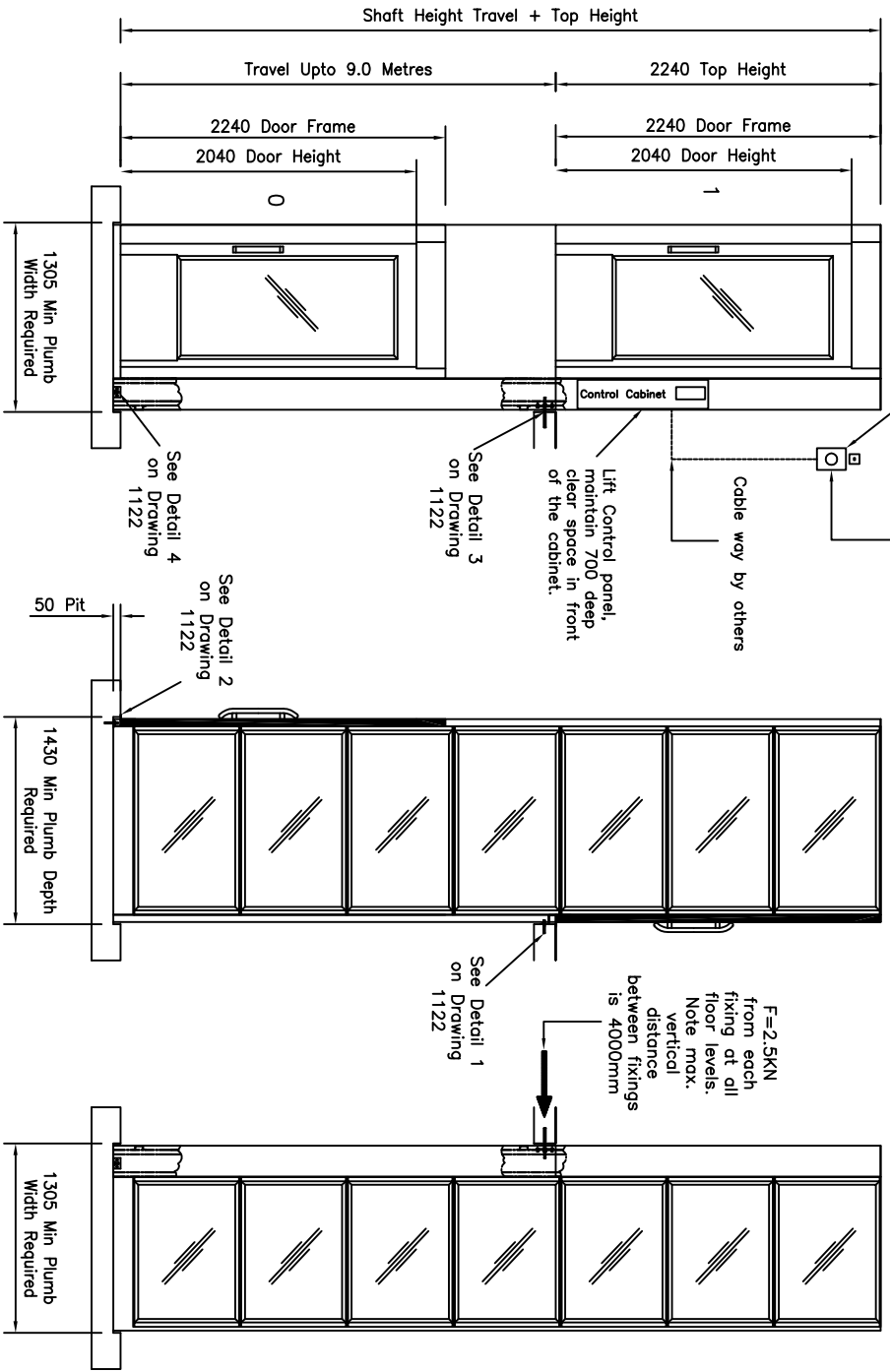


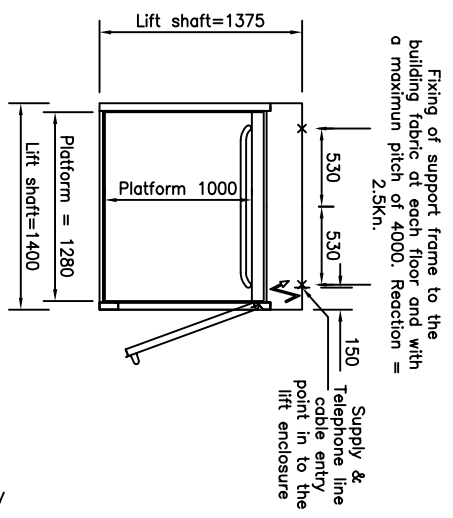
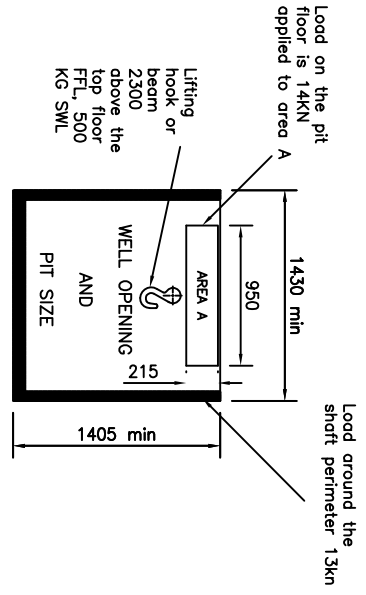
Rated Load	410kg
Supply	415v, 3ph, 16 amp Type C, 30mA RCB0 protected
Running Current	4.7 amps
Starting Current	18 amps
Platform Size	1000 wide x 1280 deep

Pit	50 deep
Door Level 0	GL Non Fire Rated
Door Level 1	GL Non Fire Rated
Door Level 2	N/A
Communication	Telephone/Autodialer

Enclosure Colour	RAL 9003
Door Colour	RAL 9003
Door Frame Colour	RAL 9003



F=2.5kN
from each fixing at all floor levels.
Note max. vertical distance between fixings is 4000mm



SEE DRAWING NO. 1122 FOR A GENERAL LIST OF WORKS BY OTHERS.

Issued for information only

BY	DATE	ISSUE	CHECKED
TMP	04/13	B	
			MODIFICATION
			Re drawn

FRONT OPENING WITH 1000 x 1280 PLATFORM GLAZED ENCLOSURE

PLATFORM LIFT STANDARD LAYOUT

NICHE LIFTS LTD Suite 3, 27 London Road, Bromley, Kent, BR1 1DG Tel: 020 8296 2882 Fax: 020 8466 1695 e-mail: contracts@nichelifts.co.uk Web Site: www.nichelifts.co.uk

NICHE LIFTS Ltd		DRAWN BY	DATE	CHECKED	SCALE
Do not scale this drawing. All dimensions in millimetres		TMP	31.10.06		NTS
		DRAWING NUMBER		1167/B	